



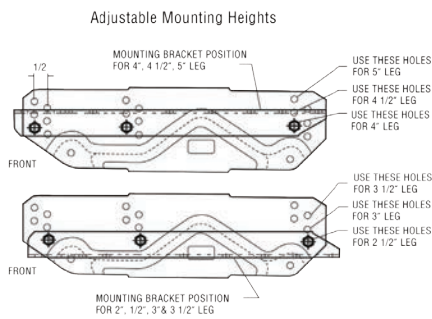
# Relax Outdoors 1010 Glider Base™

Non-Recline



## Gliding motion component.

1010 Glider Base™ gliding motion component is an outdoor mechanism that has been weatherproofed through a series of treatment processes. It features six adjustable seat heights on mounting brackets and its seven size widths allow for greater floor stability.



- Ottoman
- Single
- Love Seat

*Leggett & Platt*  
FURNITURE COMPONENTS

800.888.4569  
HFC@leggett.com  
LPFurnitureComponents.com